

**Board 1**  
North Deals  
None Vul

♠ 9 8		♠ A Q 6
♥ K 7 5 3 2		♥ A 4
♦ A K 8 3		♦ Q 5 4
♣ A 3		♣ Q 10 7 6 2
	♠ J 2	
	♥ Q 10 8	
	♦ J 10 9 6 2	
	♣ 9 8 4	
	♠ K 10 7 5 4 3	
	♥ J 9 6	
	♦ 7	
	♣ K J 5	

NS 4♠; NS 4♣; EW 2♥; NS 1N; EW 2♦

**Board 2**

East Deals

N-S Vul

♠ K 10 3  
♥ Q 10 8 7  
♦ J 5  
♣ A 6 5 3

♠ 6 2  
♥ J 9 6 5 3  
♦ 7 4 3  
♣ K 8 4

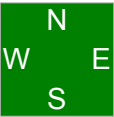


♠ A Q 9 7 5  
♥ —  
♦ A K 10 9 8 6 2  
♣ 7

♠ J 8 4  
♥ A K 4 2  
♦ Q  
♣ Q J 10 9 2

EW 7♠; EW 7♦; EW 5N; NS 1♥; N 1♣

**Board 3**  
South Deals  
E-W Vul

♠ K 6 5		♠ 8 4
♥ 6		♥ K 10 8 7 3
♦ A 9 4 3		♦ K Q 5 2
♣ J 10 5 3 2		♣ K 7
		♠ Q 7 3
		♥ A Q J 9
		♦ J 10 8 6
		♣ 9 4
		♠ A J 10 9 2
		♥ 5 4 2
		♦ 7
		♣ A Q 8 6

NS 2♥; NS 1N; NS 1♠; EW 1♦; NS 1♣

**Board 4**  
West Deals  
Both Vul

	♠ A J 6		
	♥ Q 8 4		
	♦ K 8 7 6 5		
	♣ J 5		
♠ K 10 9 8 7 3		♠ 5 2	
♥ K 7		♥ J 10 9 5 3	
♦ Q 9		♦ J 2	
♣ A 9 8		♣ K Q 6 4	
	♠ Q 4		
	♥ A 6 2		
	♦ A 10 4 3		
	♣ 10 7 3 2		

NS 3N; NS 4♦; EW 1♠; NS 1♥; NS 1♣

**Board 5**  
North Deals  
N-S Vul

♠ A Q 7  
♥ A 8 2  
♦ 9 7 3  
♣ A K 6 3

♠ K 5 4  
♥ 6 3  
♦ 10 8 6 4  
♣ Q J 7 2



♠ J 9 6 3 2  
♥ K J 5 4  
♦ K Q 2  
♣ 9

♠ 10 8  
♥ Q 10 9 7  
♦ A J 5  
♣ 10 8 5 4

EW 4♠; EW 3N; EW 3♥; EW 1♦; EW 1♣

**Board 6**  
East Deals  
E-W Vul

♠ K 10 2	♠ 6 5 4	♠ A J 9
♥ K 9 8 6	♥ A J 5	♥ Q 7 3 2
♦ Q 5	♦ K 9 7	♦ A 10 4 3
♣ K J 6 5	♣ 9 8 4 2	♣ Q 3
	♠ Q 8 7 3	
	♥ 10 4	
	♦ J 8 6 2	
	♣ A 10 7	

EW 4♥; EW 3N; E 3♠; W 2♠; EW 3♣; EW 2♦

*Board 7*  
South Deals  
Both Vul

♠ J 2		♠ A Q 10 8 4
♥ K Q 8 5		♥ A J 3
♦ J 10 7 5		♦ A Q 4
♣ K J 9		♣ Q 6
	W N E	
	S	
		♠ K 5
		♥ 7 6 4 2
		♦ 9 3 2
		♣ 10 7 5 2
		♠ 9 7 6 3
		♥ 10 9
		♦ K 8 6
		♣ A 8 4 3

NS 4N; NS 4♠; NS 2♥; NS 2♦; NS 2♣

**Board 8**

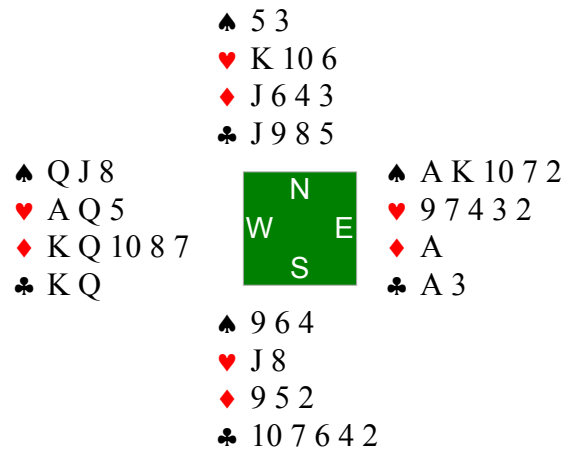
West Deals  
None Vul

	♠ A 8 2		
	♥ K 9 8		
	♦ A 8 2		
	♣ J 7 4 2		
♠ K Q 9 6		♠ 7 5 4	
♥ A Q 2		♥ J 10	
♦ 10 7		♦ K 6 5 4 3	
♣ K 10 5 3		♣ A 9 8	
	♠ J 10 3		
	♥ 7 6 5 4 3		
	♦ Q J 9		
	♣ Q 6		

W 3N; EW 3♠; E 2N; EW 3♦; EW 3♣; EW 1♥



**Board 9**  
North Deals  
E-W Vul



EW 6N; EW 6♠; W 6♦; EW 5♥; E 5♦; EW 3♣

**Board 10**  
East Deals  
Both Vul

	♠ 8 5 4	
	♥ A J 6 2	
	♦ Q 5 3	
	♣ 9 8 2	
♠ K Q J 3		♠ 10 9 7 2
♥ 7		♥ K Q 10 5 3
♦ A K 9		♦ 8 4 2
♣ A K 10 7 4		♣ 3
	♠ A 6	
	♥ 9 8 4	
	♦ J 10 7 6	
	♣ Q J 6 5	

EW 5♠; EW 3N; EW 3♥; W 3♦; E 2♦; EW 2♣

**Board 11**  
South Deals  
None Vul

	♠ A 6 4 3		
	♥ A 10 7		
	♦ K Q 5 3 2		
	♣ Q		
♠ Q 9		♠ 10 8 7 5 2	
♥ K Q 6 4		♥ 9 5 2	
♦ 9		♦ 10 8	
♣ A J 10 9 5 4		♣ 6 3 2	
	♠ K J		
	♥ J 8 3		
	♦ A J 7 6 4		
	♣ K 8 7		

NS 3N; NS 5♦; NS 2♠; NS 2♥; EW 1♣

**Board 12**  
 West Deals  
 N-S Vul

♠ K Q 10 6 4	♠ 9 3	♠ A 2
♥ 10 7 6 5	♥ 4 2	♥ K Q 9
♦ —	♦ A Q J 9 5 3	♦ K 10 8 7 2
♣ A 5 4 2	♣ K 9 7	♣ Q 10 3
	<div style="display: inline-block; background-color: #008000; color: white; padding: 5px; text-align: center; border: 1px solid black;">           N            W     E            S         </div>	
	♠ J 8 7 5	
	♥ A J 8 3	
	♦ 6 4	
	♣ J 8 6	

E 4♠; EW 3N; W 3♠; EW 3♥; E 4♣; W 3♣; EW 1♦

**Board 13**  
North Deals  
Both Vul

	♠ A K 6 5		
	♥ 4		
	♦ K J 9 8 3		
	♣ 10 5 2		
♠ Q J 7 2		♠ 8 3	
♥ K 10 9 6 5		♥ A 7 2	
♦ 10 7		♦ A 5 4 2	
♣ J 6		♣ Q 9 8 4	
	♠ 10 9 4		
	♥ Q J 8 3		
	♦ Q 6		
	♣ A K 7 3		

NS 2N; NS 2♠; NS 3♦; NS 2♣; EW 1♥

**Board 14**  
East Deals  
None Vul

♠ K 9 6 5 4		♠ J 10 3 2
♥ 7 3		♥ A Q 2
♦ A 9 6		♦ 10 8 7
♣ A 4 3		♣ Q 10 2
	♠ A 7	
	♥ K 5	
	♦ K 4 3 2	
	♣ K 9 8 6 5	
	♠ Q 8	
	♥ J 10 9 8 6 4	
	♦ Q J 5	
	♣ J 7	

EW 3♠; EW 4♦; EW 4♣; EW 1N; EW 1♥

*Board 15*  
South Deals  
N-S Vul

♠ Q 9 7 6 4 3  
♥ 5 4  
♦ 9 5 3  
♣ J 2

♠ A K 8  
♥ A K  
♦ A K Q 7 6  
♣ A 8 4

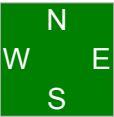


♠ J 10  
♥ Q J 10 8 7 2  
♦ J 8  
♣ 9 7 3

♠ 5 2  
♥ 9 6 3  
♦ 10 4 2  
♣ K Q 10 6 5

EW 7N; EW 7♥; EW 5♦; EW 3♠; EW 3♣

**Board 16**  
West Deals  
E-W Vul

♠ 7 4 2	♠ K 6 3	♠ Q 10
♥ 9 7 5 2	♥ A Q 6 4	♥ K J
♦ J 8 7 6	♦ K	♦ A Q 9 3 2
♣ A 4	♣ K Q J 5 3	♣ 10 9 7 2
		
	♠ A J 9 8 5	
	♥ 10 8 3	
	♦ 10 5 4	
	♣ 8 6	

NS 4♠; NS 2♥; EW 2♦; NS 2♣



**Board 17**  
North Deals  
None Vul

♠ K J 8  
♥ K 9 8 3  
♦ K J 7 2  
♣ A 6

♠ A 10 5  
♥ A 10 4  
♦ A 10 9  
♣ K Q 3 2



♠ 7 6 4 3  
♥ J 5  
♦ 6 4  
♣ 10 8 7 5 4

♠ Q 9 2  
♥ Q 7 6 2  
♦ Q 8 5 3  
♣ J 9

S 4N; N 3N; S 3♥; NS 2♠; N 2♥; NS 3♦; NS 2♣

**Board 18**  
East Deals  
N-S Vul

♠ 10 9 5 2	♠ K 7	♠ A 8 6 3
♥ 9 3	♥ A K J 7 5	♥ —
♦ J 8 2	♦ A 7 6 5	♦ K Q 10 3
♣ Q J 7 4	♣ 9 6	♣ A K 10 8 3

♠ Q J 4  
♥ Q 10 8 6 4 2  
♦ 9 4  
♣ 5 2

EW 4♠; NS 3♥; EW 4♣; NS 1N; EW 2♦

**Board 19**  
South Deals  
E-W Vul

♠ A 10 6 5		♠ K 9 4 2
♥ Q		♥ A K 10 5 2
♦ K Q 8 4		♦ 10 2
♣ K 7 5 2		♣ Q 3
	♠ 7	
	♥ 9 8 7 6 4	
	♦ A 6 5 3	
	♣ A 10 6	
	♠ Q J 8 3	
	♥ J 3	
	♦ J 9 7	
	♣ J 9 8 4	

EW 2♥; EW 3♦; EW 3♣; EW 1N; NS 1♠

**Board 20**  
West Deals  
Both Vul

	♠ J 7	
	♥ 9	
	♦ K J 4 3	
	♣ A 9 8 5 4 3	
♠ Q 8 5		♠ 10 9 4 2
♥ Q 10 7 2		♥ J 8 5
♦ 9 8 2		♦ A 6 5
♣ J 7 6		♣ K 10 2
	♠ A K 6 3	
	♥ A K 6 4 3	
	♦ Q 10 7	
	♣ Q	

NS 4♠; NS 3♥; NS 4♦; NS 4♣; NS 2N

**Board 21**  
North Deals  
N-S Vul

♠ 9 4		♠ J 7	
♥ 9 8 6 3		♥ 5	
♦ K 6		♦ Q J 10 7 4 2	
♣ A J 7 5 4		♣ Q 10 9 6	
	W		E
	N		S
		♠ A Q 8 3	♠ K 10 6 5 2
		♥ A K J 7 2	♥ Q 10 4
		♦ 9	♦ A 8 5 3
		♣ K 3 2	♣ 8

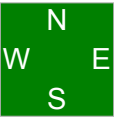
NS 3N; NS 2♠; NS 3♣; NS 2♦; NS 1♥

**Board 22**  
East Deals  
E-W Vul

♠ J 10 8 3 2		♠ A K
♥ 10 5 4 2		♥ 8 7 6
♦ 8 2		♦ A K J 10 6
♣ 7 5		♣ A 10 4
	W N E	♠ 9 6 4
	S	♥ A K J 9 3
		♦ 9
		♣ K J 9 6
		♠ Q 7 5
		♥ Q
		♦ Q 7 5 4 3
		♣ Q 8 3 2

NS 5♦; NS 2N; EW 2♥; NS 3♣; EW 1♠

**Board 23**  
South Deals  
Both Vul

♠ Q 9 6 4 2		♠ 8 7
♥ 5 2		♥ 10 8 7
♦ 7 5		♦ A J 6 3 2
♣ K J 9 2		♣ 10 5 4
		♠ K J 10 3
		♥ A K 4
		♦ 10 9
		♣ A Q 8 6
		♠ A 5
		♥ Q J 9 6 3
		♦ K Q 8 4
		♣ 7 3

EW 4♠; EW 4♣; NS 2♥; EW 1N; NS 2♦

**Board 24**  
West Deals  
None Vul

♠ 10 5 2		♠ A K J 8 6 4
♥ K J 9 4		♥ —
♦ Q 10 9 8		♦ 7 3
♣ K Q		♣ A J 7 5 4
	♠ Q 3	
	♥ A 10 7 5 3	
	♦ 5 2	
	♣ 9 8 6 2	
	♠ 9 7	
	♥ Q 8 6 2	
	♦ A K J 6 4	
	♣ 10 3	

NS 5♠; S 3N; NS 5♣; N 2N; NS 3♦; EW 1♥