

Board 1
North Deals
None Vul

♠ A K 10 3		♠ Q J 8 5 2		
♥ K J 7		♥ 9		
♦ A K J		♦ Q 10 8 6 4 2		
♣ Q J 2		♣ 9		
	W	N	E	
		S		
				♠ 9 7
				♥ A 6 5 4 3
				♦ 5
				♣ A 7 5 4 3
				♠ 6 4
				♥ Q 10 8 2
				♦ 9 7 3
				♣ K 10 8 6

EW 5♥; EW 4N; EW 5♣; EW 3♠; EW 1♦

Board 2
East Deals
N-S Vul

♠ A K 4		♠ 10 8 7 6
♥ 10 8 4 2		♥ 9 3
♦ 8 7		♦ 4 2
♣ K Q 8 5		♣ A 9 4 3 2
	♠ Q J 5	
	♥ A K	
	♦ 9 6 5 3	
	♣ J 10 7 6	
	♠ 9 3 2	
	♥ Q J 7 6 5	
	♦ A K Q J 10	
	♣ —	

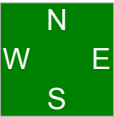
E 2♠; EW 3♣; EW 1N; W 1♠

Board 3
South Deals
E-W Vul

♠ K 5 4		♠ 9 3 2	
♥ 10 5 3		♥ 8 4 2	
♦ A K 3		♦ J 8 6 5	
♣ A J 8 2		♣ K Q 5	
	♠ J 6		
	♥ K 9 6		
	♦ 9 7		
	♣ 10 9 7 6 4 3		
	♠ A Q 10 8 7		
	♥ A Q J 7		
	♦ Q 10 4 2		
	♣ —		

NS 3N; NS 3♠; S 4♦; S 2♥; N 3♦; E 2♣; N 1♥; W 1♣

Board 4
West Deals
Both Vul

♠ Q 9 2		♠ A 4 3
♥ A K 10		♥ J 3
♦ Q 7		♦ K J 9 8 6 5 4 3
♣ Q 9 8 6 4		♣ —
		♠ K J 10 8 5
		♥ 9 6 5
		♦ A 2
		♣ K 7 2
		♠ 7 6
		♥ Q 8 7 4 2
		♦ 10
		♣ A J 10 5 3

W 3N; W 3♠; E 2♠; NS 2♦; W 2♣; EW 1♥; E 1♣

Board 5
North Deals
N-S Vul

♠ K 6 4		♠ —
♥ 9 2		♥ K Q J 10 6 5
♦ J 8 4 3		♦ 10 6 5 2
♣ Q 9 8 2		♣ 7 6 4
	♠ N	♠ Q 7 5 2
	W	♥ 8 4 3
	S	♦ A Q
	E	♣ A K J 5
		♠ A J 10 9 8 3
		♥ A 7
		♦ K 9 7
		♣ 10 3

NS 3♥; NS 1N; W 2♣; NS 1♠; NS 1♦; E 1♣

Board 6
East Deals
E-W Vul

	♠ 9 6	
	♥ 8 5 3 2	
	♦ 10 4 3	
	♣ 7 6 3 2	
♠ A K Q 10 5 4		♠ 2
♥ A K 10		♥ Q 9 7
♦ Q 9 6		♦ A 8 2
♣ 8		♣ K Q J 9 5 4
	♠ J 8 7 3	
	♥ J 6 4	
	♦ K J 7 5	
	♣ A 10	

E 6N; E 6♠; E 6♣; W 5N; W 5♠; EW 5♥; W 5♣; EW 4♦

Board 7
South Deals
Both Vul

♠ J 9 4 2		♠ 7 5
♥ A Q J 5 3		♥ K 10 4 2
♦ K 7 4		♦ A J 10 9 3
♣ Q		♣ J 5
	♠ K Q	
	♥ 9 8 7	
	♦ Q 6 5 2	
	♣ 10 9 6 2	
	♠ A 10 8 6 3	
	♥ 6	
	♦ 8	
	♣ A K 8 7 4 3	

NS 2♠; NS 3♣; NS 1N; EW 1♥; NS 1♦

Board 8

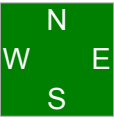
West Deals

None Vul

	♠ A Q 7 4 3	
	♥ —	
	♦ 8 7 5 4 3	
	♣ A 10 3	
♠ K 5		♠ 9
♥ A 8 7 6 3	W N E	♥ K Q J 9 5 4
♦ J 9	S	♦ 10 6 2
♣ 9 5 4 2		♣ K 7 6
	♠ J 10 8 6 2	
	♥ 10 2	
	♦ A K Q	
	♣ Q J 8	

NS 7♠; NS 6♦; EW 2♥; NS 1N; N 2♣; S 1♣

Board 9
North Deals
E-W Vul

♠ K 9 6		♠ A J 7 5
♥ 10 9 6 5		♥ 4
♦ A Q		♦ 5 3 2
♣ K J 9 7		♣ A 10 8 4 3
		
		♠ Q 2
		♥ A Q J 8
		♦ 10 9 8 6 4
		♣ Q 2
		♠ 10 8 4 3
		♥ K 7 3 2
		♦ K J 7
		♣ 6 5

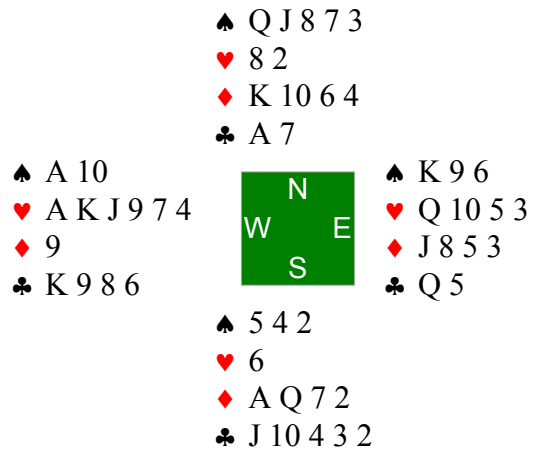
EW 4♥; EW 2N; EW 3♦; NS 1♠; EW 1♣

Board 10
East Deals
Both Vul

	♠ Q 6 5	
	♥ 10 8 5 3 2	
	♦ 6 2	
	♣ A 7 6	
♠ J 8		♠ A 7 4 3
♥ K J		♥ A 7 6 4
♦ J 10 9 4		♦ 7 3
♣ Q J 5 3 2		♣ K 9 4
	♠ K 10 9 2	
	♥ Q 9	
	♦ A K Q 8 5	
	♣ 10 8	

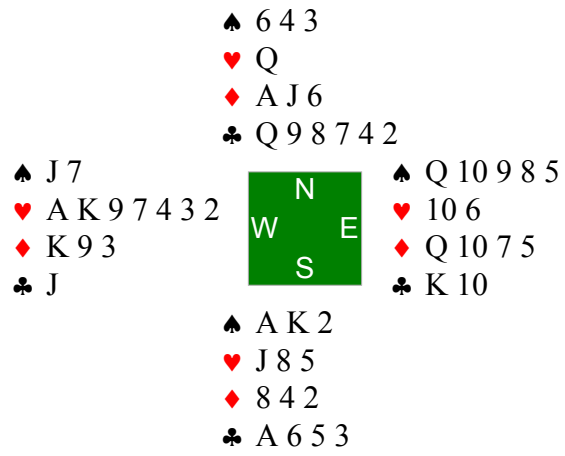
NS 2♦; EW 2♣; NS 1♠; NS 1♥

Board 11
South Deals
None Vul



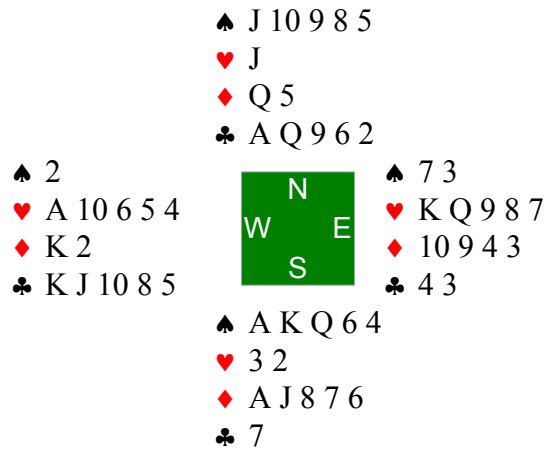
EW 5♥; EW 2N; NS 1♠; NS 1♦; EW 1♣

Board 12
West Deals
N-S Vul



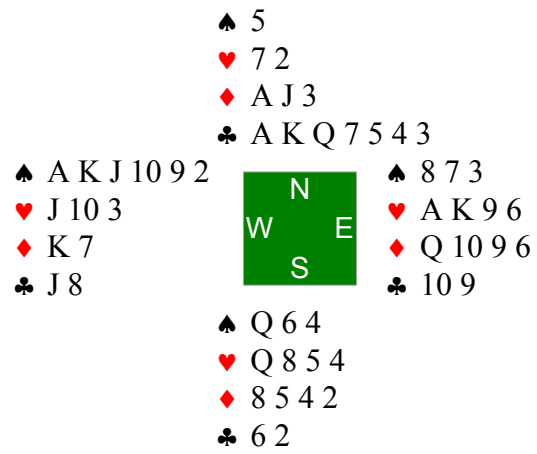
EW 3♥; EW 2♠; EW 2♦; NS 2♣

Board 13
 North Deals
 Both Vul



NS 5♠; EW 3♥; NS 4♦; NS 2N; NS 2♣

Board 14
East Deals
None Vul



EW 4♠; EW 3♥; NS 2♣; EW 1♦

Board 15
South Deals
N-S Vul

	♠ 6		
	♥ Q J 7 5 2		
	♦ A Q		
	♣ A 9 8 6 4		
♠ K Q 9 5 4 3		♠ A 10 8 7	
♥ A K 9		♥ 10 4	
♦ K 7 2		♦ 9 6 5	
♣ 3		♣ J 10 5 2	
	♠ J 2		
	♥ 8 6 3		
	♦ J 10 8 4 3		
	♣ K Q 7		

W 4♠; E 3♠; NS 3♥; E 2N; NS 3♣; NS 1♦

Board 16
 West Deals
 E-W Vul

♠ 4		♠ 9 7	
♥ K 9 8 7 6 4		♥ J 5 2	
♦ A K 9 6		♦ 10 8 4 3	
♣ K 10		♣ A 8 4 3	
	<div style="display: inline-block; background-color: #008000; color: white; padding: 5px; border: 1px solid black;"> N W E S </div>		
		♠ A Q 5 2	
		♥ A Q	
		♦ Q J	
		♣ Q J 9 7 2	
		♠ K J 10 8 6 3	
		♥ 10 3	
		♦ 7 5 2	
		♣ 6 5	

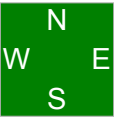
E 6N; EW 6♥; EW 6♣; W 5N; EW 5♦; EW 2♠

Board 17
North Deals
None Vul

♠ —	♠ K J 9 5	♠ A Q 10 8 4 2
♥ K J 6 4 3 2	♥ A 10 8	♥ Q 9 7
♦ 10 9 7 6 3	♦ A 5 2	♦ Q J 4
♣ J 8	♣ 10 7 2	♣ K
	♠ 7 6 3	
	♥ 5	
	♦ K 8	
	♣ A Q 9 6 5 4 3	

NS 4N; S 5♣; N 4♣; NS 2♠; EW 2♥; EW 2♦

Board 18
East Deals
N-S Vul

♠ 6 5		♠ A K 9 3	
♥ K 5 4		♥ Q J 9	
♦ J 8 7		♦ A 9 3	
♣ A 9 6 5 4		♣ K Q J	
			
		♠ J 10 8	♠ Q 7 4 2
		♥ A 8 6 3	♥ 10 7 2
		♦ K Q 4	♦ 10 6 5 2
		♣ 10 3 2	♣ 8 7

NS 4N; NS 3♠; NS 3♥; NS 3♦; NS 3♣

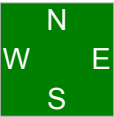
Board 19
South Deals
E-W Vul

♠ 9 5	♠ Q 10 3 2	♠ A 8 7 6 4
♥ Q 7	♥ J 10 9	♥ 8 6 2
♦ K Q 9 8 5	♦ A J 10 4	♦ 3 2
♣ K J 10 9	♣ 6 3	♣ A 8 7

♠ K J
♥ A K 5 4 3
♦ 7 6
♣ Q 5 4 2

NS 2♥; NS 1N; NS 1♠; EW 1♦; EW 1♣

Board 20
West Deals
Both Vul

♠ 9 3 2		♠ Q 7 6
♥ Q J 9 2		♥ A 10 8
♦ 9		♦ J 6 2
♣ K 7 5 4 3		♣ Q 10 9 8
		
		♠ A K 10 5
		♥ K 7 4
		♦ A 7 5 4
		♣ J 6
		♠ J 8 4
		♥ 6 5 3
		♦ K Q 10 8 3
		♣ A 2

EW 2♠; EW 2♥; EW 1N; EW 2♣; NS 1♦

Board 21
North Deals
N-S Vul

♠ 3 2		♠ A J 7
♥ 10 9 5 3		♥ A Q J 4 2
♦ Q J 10		♦ K 4 3
♣ 10 9 4 2		♣ Q 3
	♠ 9 5	
	♥ K 7 6	
	♦ A 9 8 7 2	
	♣ A 8 6	
	♠ K Q 10 8 6 4	
	♥ 8	
	♦ 6 5	
	♣ K J 7 5	

N 5♠; S 4♠; N 3N; N 3♥; S 2♥; N 3♣; S 1N; S 2♣; N 1♦

Board 22
East Deals
E-W Vul

♠ A J 9 7 5 2		♠ 4 3									
♥ 9 4		♥ A K Q 6									
♦ 8 5		♦ K Q									
♣ J 7 6		♣ Q 9 8 4 2									
	<table><tbody><tr><td></td><td>N</td><td></td></tr><tr><td>W</td><td></td><td>E</td></tr><tr><td></td><td>S</td><td></td></tr></tbody></table>		N		W		E		S		
	N										
W		E									
	S										
		♠ 10 8 6									
		♥ J 10 8 7									
		♦ A 7 4 2									
		♣ 10 3									
		♠ K Q									
		♥ 5 3 2									
		♦ J 10 9 6 3									
		♣ A K 5									

NS 4♥; NS 3N; NS 5♦; NS 5♣; EW 1♠

Board 23
South Deals
Both Vul

♠ 10 3 2		♠ 8 7 6	
♥ 8 2		♥ J 7 5 3	
♦ A 10 9 4		♦ K 8 6 2	
♣ A 6 4 2		♣ K 5	
	W		E
	S		
		♠ A K 9 5	♠ Q J 4
		♥ Q 6	♥ A K 10 9 4
		♦ J 7 5 3	♦ Q
		♣ J 9 3	♣ Q 10 8 7

EW 2♥; EW 3♣; EW 1N; EW 1♠; EW 1♦

Board 24
West Deals
None Vul

	♠ K Q 3		
	♥ J 9 7 5		
	♦ 9 7 5 2		
	♣ 7 5		
♠ 10 7 6 4		♠ A 8	
♥ 10 6		♥ 4 3 2	
♦ Q 8 6		♦ A J 10 4	
♣ J 10 9 3		♣ 8 6 4 2	
	♠ J 9 5 2		
	♥ A K Q 8		
	♦ K 3		
	♣ A K Q		

NS 5♥; NS 4♠; NS 3N; NS 2♦; NS 1♣

Board 25
North Deals
E-W Vul

♠ K Q J 9 6		♠ 10
♥ Q 2		♥ K J 9 7 3
♦ Q 6 4 2		♦ J 7
♣ A 10		♣ Q 9 8 7 4
	W	
	N	
	E	
	S	
		♠ A 8 4 3 2
		♥ 8 5
		♦ 9 5 3
		♣ J 6 3
		♠ 7 5
		♥ A 10 6 4
		♦ A K 10 8
		♣ K 5 2


NS 5♥; NS 5♣; NS 1N; NS 2♦; EW 1♠

Board 26
East Deals
Both Vul

♠ A J 5		♠ 8 6 4
♥ 8 3 2		♥ A 10 9
♦ Q 7 6 2		♦ A J 10
♣ K 8 5		♣ A 10 4 2
	♠ K 9 7 3	
	♥ K Q J	
	♦ K 9 5	
	♣ Q J 9	
	♠ Q 10 2	
	♥ 7 6 5 4	
	♦ 8 4 3	
	♣ 7 6 3	

EW 3N; EW 3♠; EW 2♥; EW 3♦; EW 3♣

Board 27
South Deals
None Vul

♠ 8 5 4	♠ A Q 9 7 6 3	♠ 10
♥ K 3 2	♥ 8	♥ A Q J 10 9 7 6
♦ Q J 7 5	♦ A K 3	♦ 10 9 4
♣ K 3 2	♣ J 7 5	♣ 10 8
		
	♠ K J 2	
	♥ 5 4	
	♦ 8 6 2	
	♣ A Q 9 6 4	

NS 5♠; NS 5♣; EW 3♥; NS 1♦

Board 28
West Deals
N-S Vul

	♠ K 8 4 3	
	♥ 9 8 4 2	
	♦ 5 2	
	♣ K 10 3	
♠ A 7		♠ Q J 10 6 5
♥ Q 10 6 3		♥ A 7
♦ J 9 7 6 4		♦ A K Q 8
♣ A 9		♣ J 5
	♠ 9 2	
	♥ K J 5	
	♦ 10 3	
	♣ Q 8 7 6 4 2	

EW 5♠; EW 4♥; EW 5♦; EW 2N; NS 1♣